



# Telemetry Pillar

**The Haldo Telemetry pillar is a robust communications bollard**

**Originally developed for the water industry, it was designed to house a transmitter and data logging equipment alongside the associated electrical control gear.**

The range has developed and now there are several different designs used for various utilities industries.

## **Standard Specification:**

- Steel Base with Vandal resistant locking mechanism.
- Variety of internal frame options to suit different applications
- Surface Mounted or Root Mounted
- Moulded Cover allows data signal transmission through the cover without need for external aerial
- Shear off models enable the pillar to be replaced after an accident without the costly excavation of the in-ground root.
- Custom design service available to create a bespoke internal framework complete with fixing holes suitable for mounting your equipment.
- Unobtrusive classic design which is equally at home in the countryside as it is on the urban street.
- Self coloured plastic cover requires no maintenance or refurbishment.
- Very robust, UV stabilised, fire retardant moulded cover
- Available in a range of colours.
- Corporate Logos can be accommodated.



**AVAILABLE TO  
BUY ONLINE**

**Bespoke  
Designs  
AVAILABLE**



**Haldo** | 221 Bowling Back Lane | Bradford | West Yorkshire | BD4 8SJ  
[www.haldo.com](http://www.haldo.com) | **01284 754043** | [sales@haldo.com](mailto:sales@haldo.com)



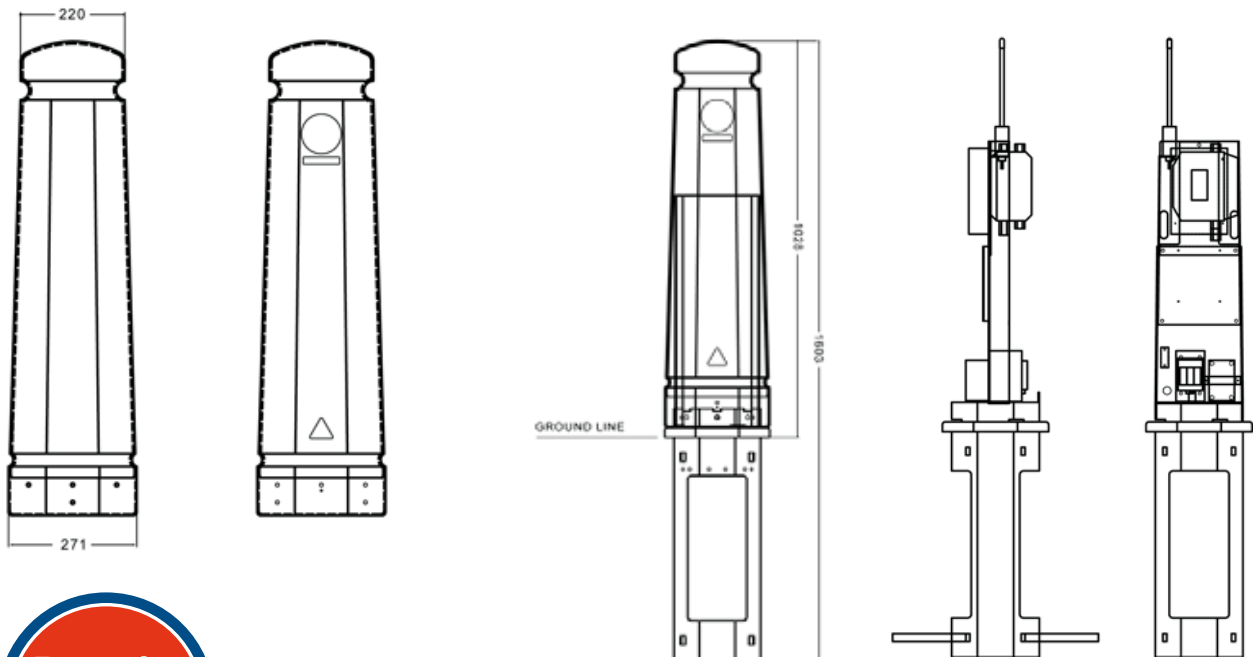


# Telemetry Pillar

**The Haldo Telemetry pillar is a robust communications bollard**

**Typical Applications Include:**

- Data Logging
- Flow Measuring & Monitoring
- Pressure Monitoring
- Leak Detection
- Water treatment Plants
- Early Warning Flood Alert
- Telecommunications for 3G/4G/External WiFi
- Footfall Counter
- Oil & Gas Management



Haldo | 221 Bowling Back Lane | Bradford | West Yorkshire | BD4 8SJ  
www.haldo.com | 01284 754043 | sales@haldo.com

